



# PRODUCTS CATALOGUE

2011-2012

## Contents:

Latest offers,  
stages of development

Connection  
sections



Adaptation  
sections



Stair nosings



Profiles for  
ceramic tiles

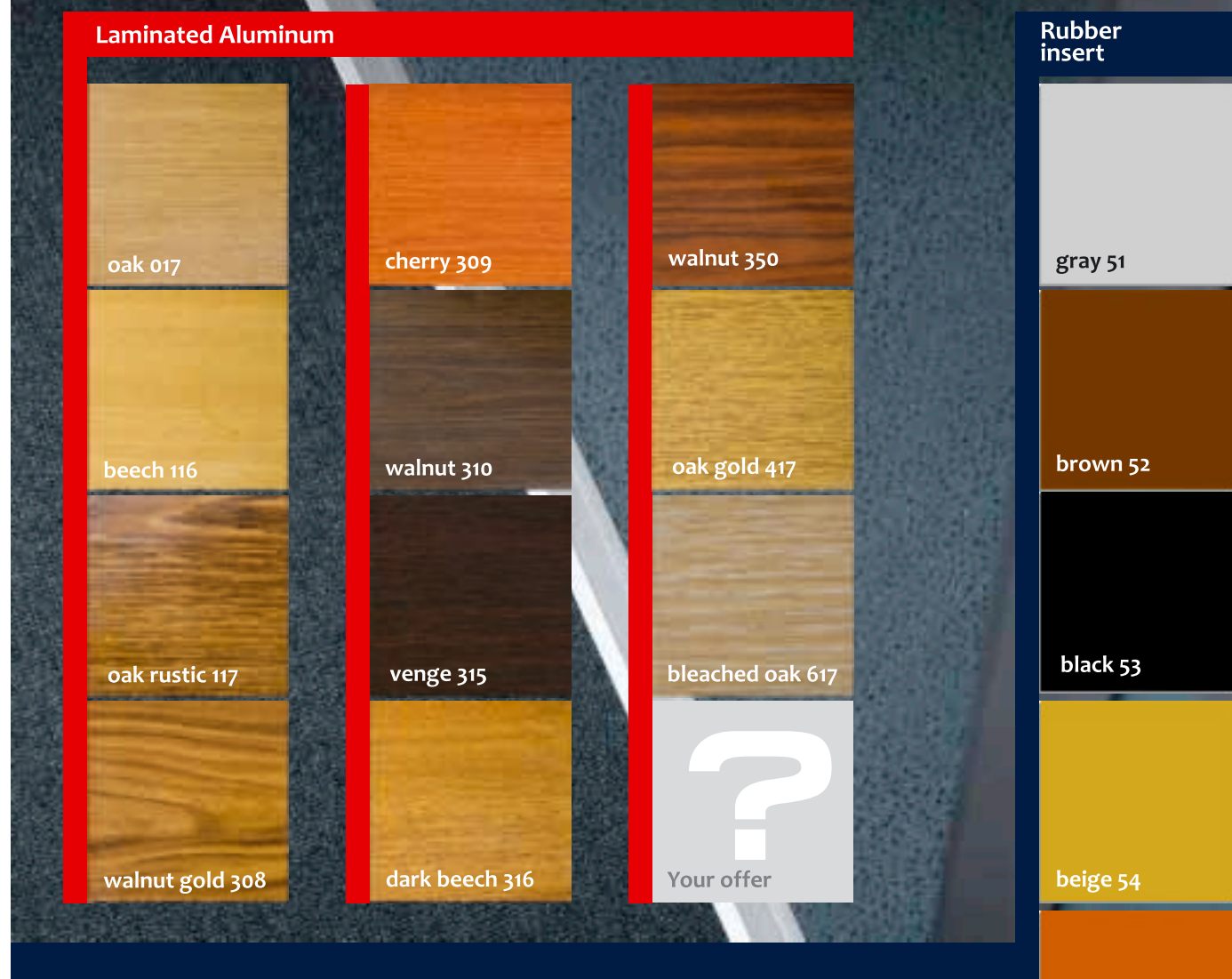


Labeling



We offer to your attention optimally selected colours of production both anodized and in the laminated series.

Thanks to a wide range of colors you can easily solve any design problem.



**Recommendations for use**

recommended for use in home



recommended for use in the situation of medium intensity load



recommended for use in the situation of high intensity load



recommended for use in the situation of high-intensity load, in public places, outside the street



**Materials symbol**

- linoleum,
- tile,
- carpeting,
- parquet and laminate

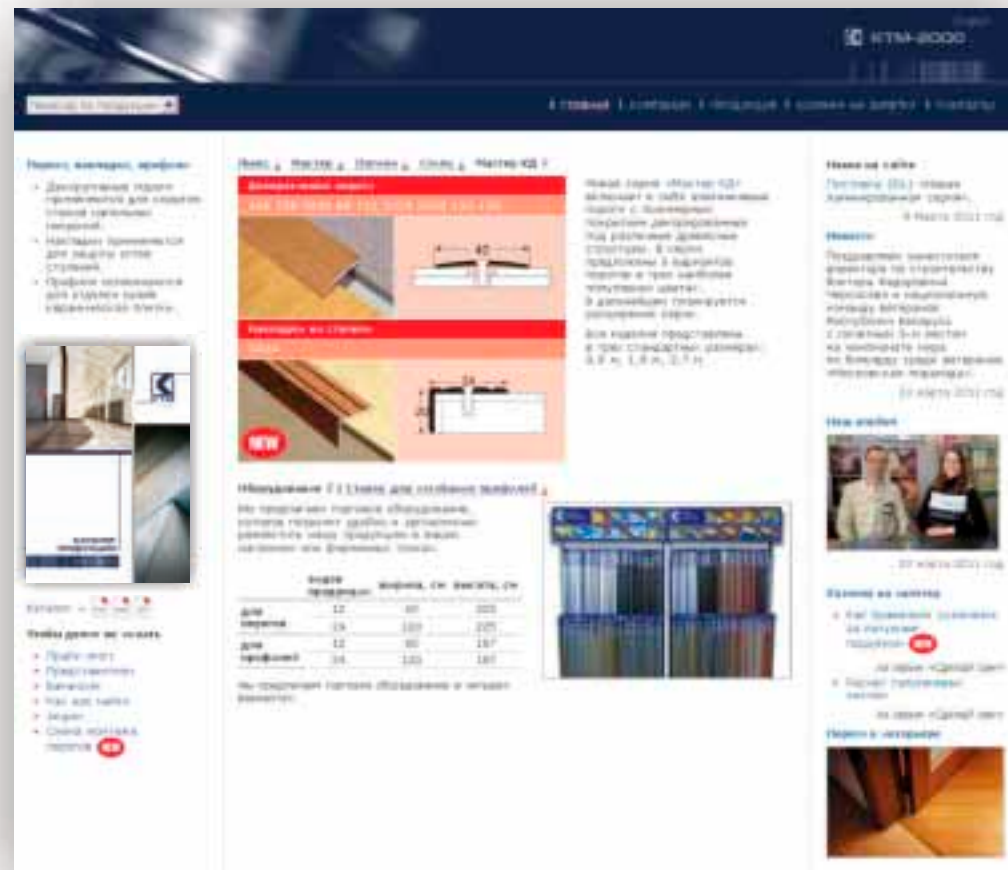
Article	p.
10	8
100	11
110	11
120	11
130	6
140	6
220	14
228/229	17
2626	15
307/308	12
318	18
324/325	18
3326	10
3328	7
3329	6
335	19
3413	15
3414	13
3418	13
357	16
3584	7
3586	7
359/360	17
361/362	16
369/370	17
380/381/382	20
390/391	20
407/408	12
517	19
60	8
664	14
70 (035)	10
72 (033)	10
80	8
84/328	12
87	14



# Brief company news, new products reviews and development prospects

Our company pays great attention to our products promotion. Participating in international exhibitions, paying great attention to merchandising, producing annually updated marketing materials and developing the site, we thus attract additional attention of consumers.

Visit our corporate website - [www.ktm-2000.com](http://www.ktm-2000.com)  
There you will find complete information about the products and the latest company news, new items and special promotions.



## SPECIAL EQUIPMENT

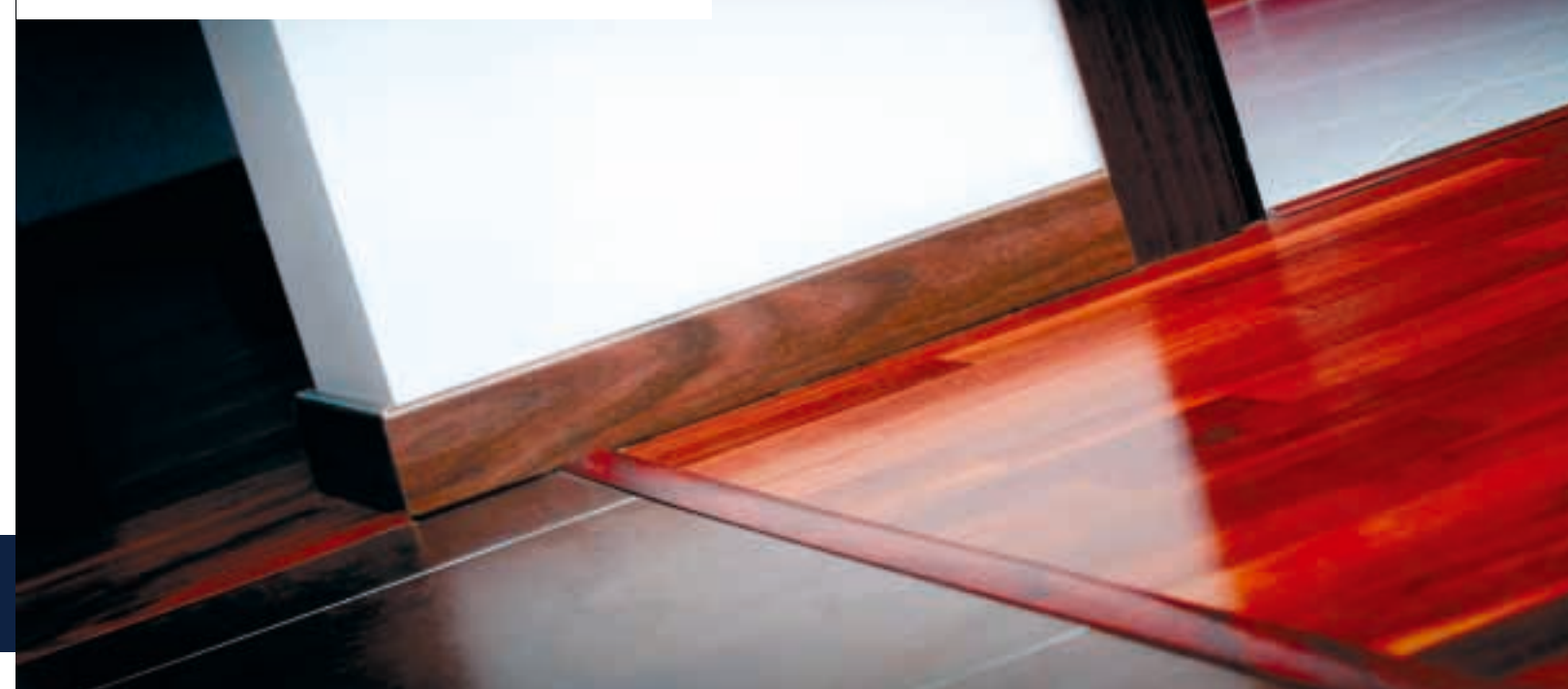
Bending device/machine  
The purpose of device is to bend special profiles/sections with a certain radius.

This year we have upgraded the machine. The wheels of renewed device are made of hard kapralon, and than the edges are molded from polyurethane. This design does not allow profile slipping during bending.



## EXPORTS

We are actively developing export business-line. Our products are available in stores in Kazakhstan, Russia, Moldova and Baltic countries. All products are individually packed, fixing material is included. Profiles of 90 cm are packed by 12 pcs. per cardboard boxes, profiles of 135 cm, 180 cm and 270 cm are packed by 6 pcs. in a stretch film. This package allows you to keep the goods in a perfect condition during the transportation.



## PROMOTIONAL MATERIALS

Annually the company produces products catalogues, thematic brochures, flyers, calendars, presentations and training videos for customers.



## IN-STORE EQUIPMENT

We offer you an updated retail equipment, which will allow you to place our products in your stores even more ergonomic and comfortably.

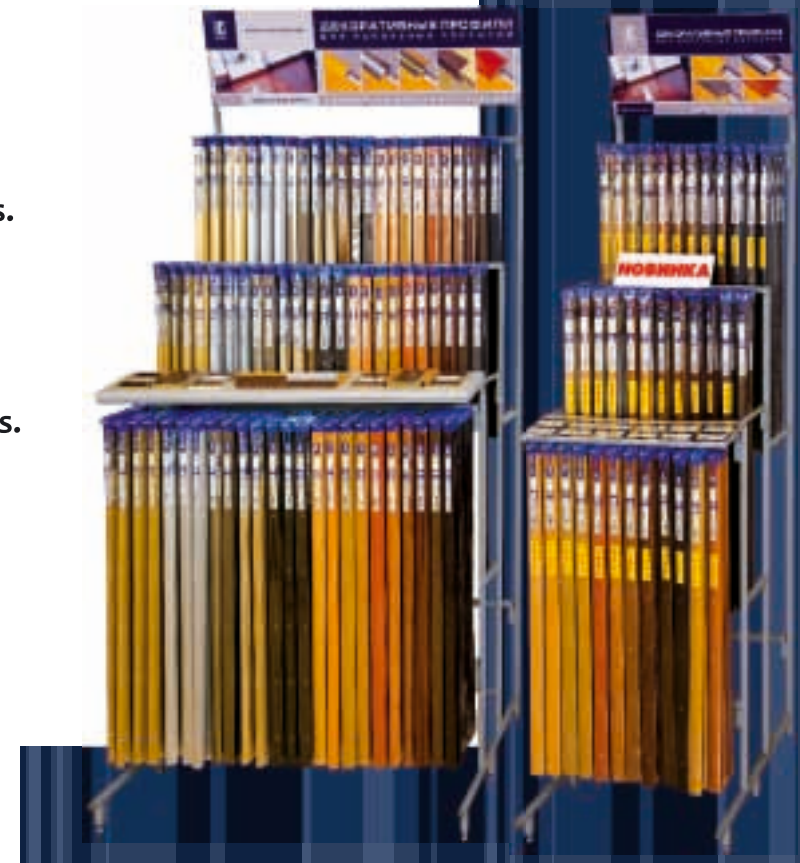
### SHOP EQUIPMENT IN FOUR VARIANTS:

**Three-level stand:**  
Height 225 cm, width 60 cm, depth 70 cm  
Designed for profiles of 0.9 m, 1.35 m and 1.8 m  
Each level is available for 12 kinds of thresholds.

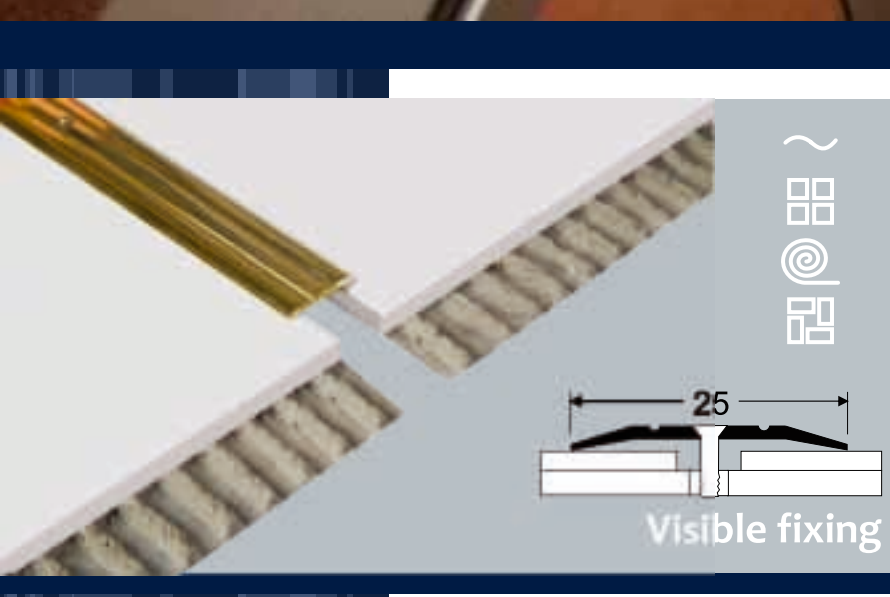
**Three-level stand:**  
Height 225 cm, width 120 cm, depth 70 cm  
Designed for profiles of 0.9 m, 1.35 m and 1.8 m  
Each level is available for 24 kinds of thresholds.

**One-level stand:**  
Height 187 cm, width 60 cm  
Designed for the profiles of 250 cm and 270 cm  
Is designed for 12 types of profiles.

**One-level Stand:**  
Height 187 cm, width 120 cm  
Designed for the profiles of 250 cm and 270 cm  
Stand is designed for 24 types of profiles.



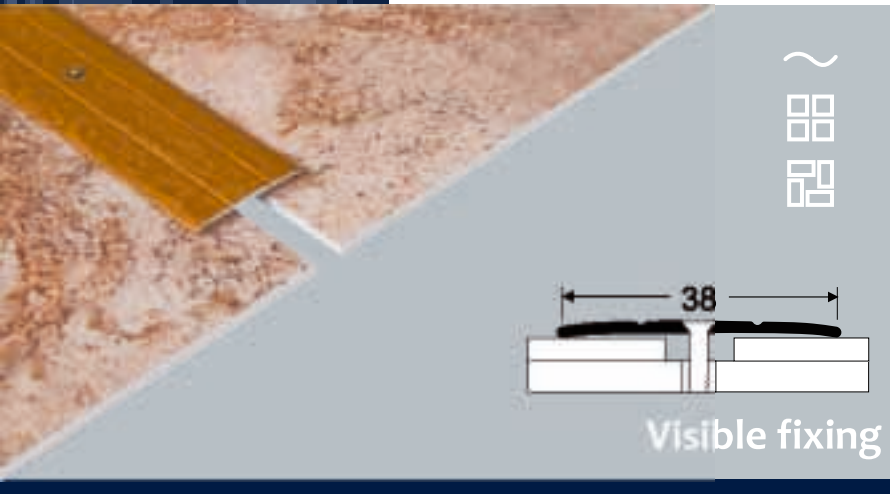
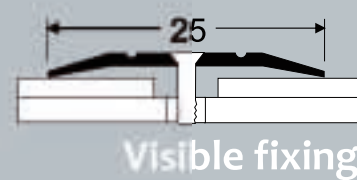
# Connection sections (profiles for the floor coverings of the same level)



### 3329

length 0.9 m 1.35 m 1.80 m 2.70 m

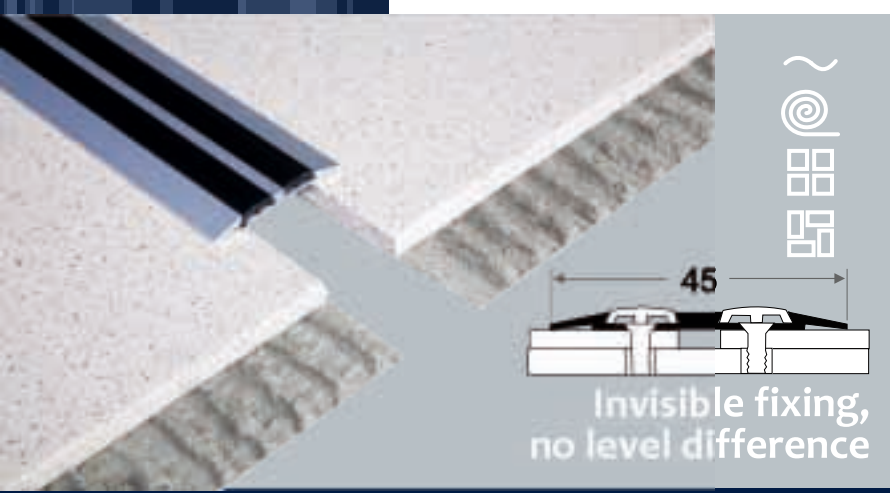
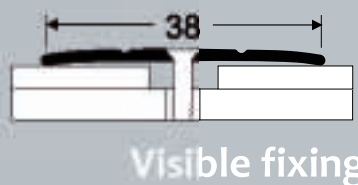
01	02	03	06	04	
017	116	117	308	309	310
315	316	350	417	617	
	88				



### 140

length 0.9 m 1.35 m 1.80 m 2.70 m

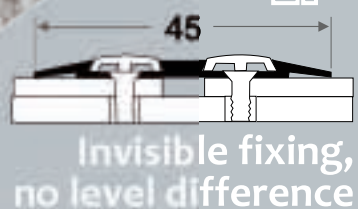
01	02	03	06	04	
017	116	117	308	309	310
315	316	350	417	617	



### 130

length 0.9 m 1.35 m 1.80 m 2.70 m

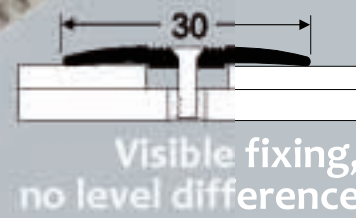
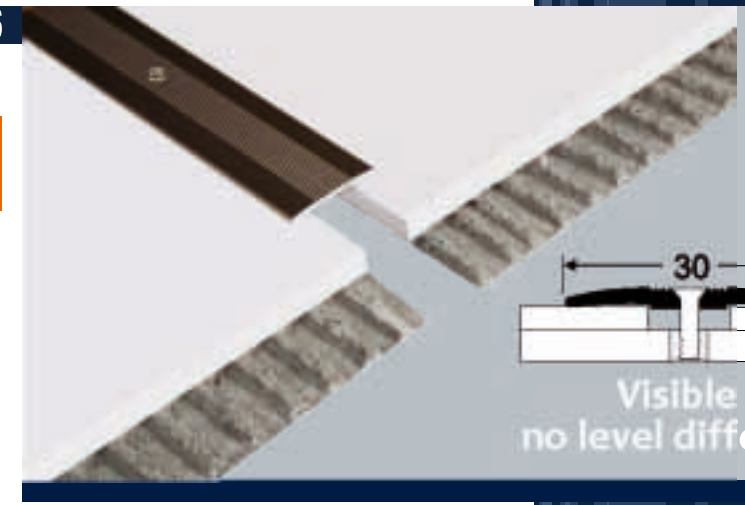
01	02	03	06
----	----	----	----



### 3586

length 0.9 m 1.35 m 1.80 m 2.70 m

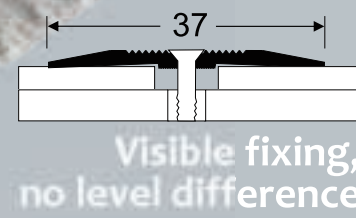
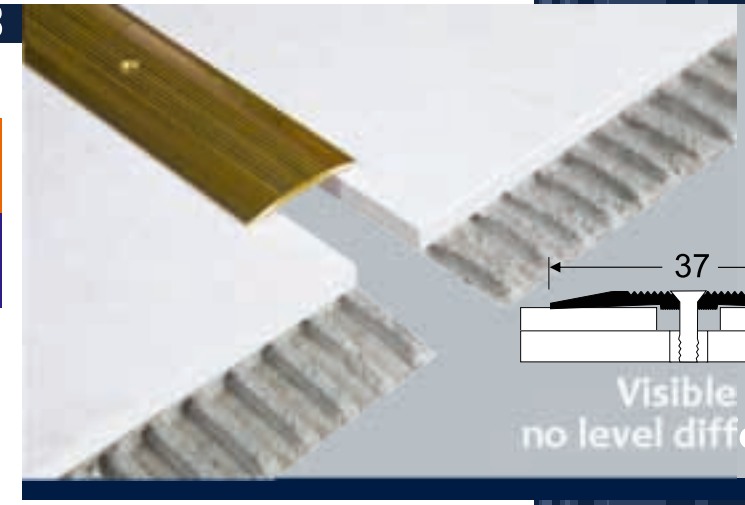
01	02	03	06	04
----	----	----	----	----



### 3328

length 0.9 m 1.35 m 1.80 m 2.70 m

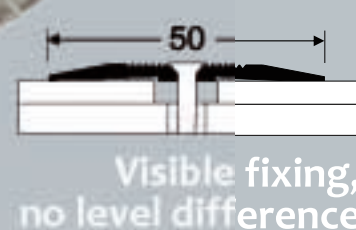
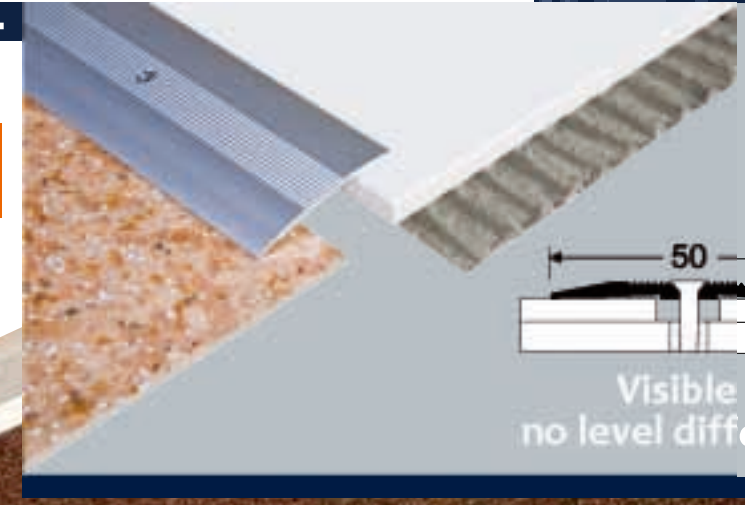
01	02	03	06	04
				88



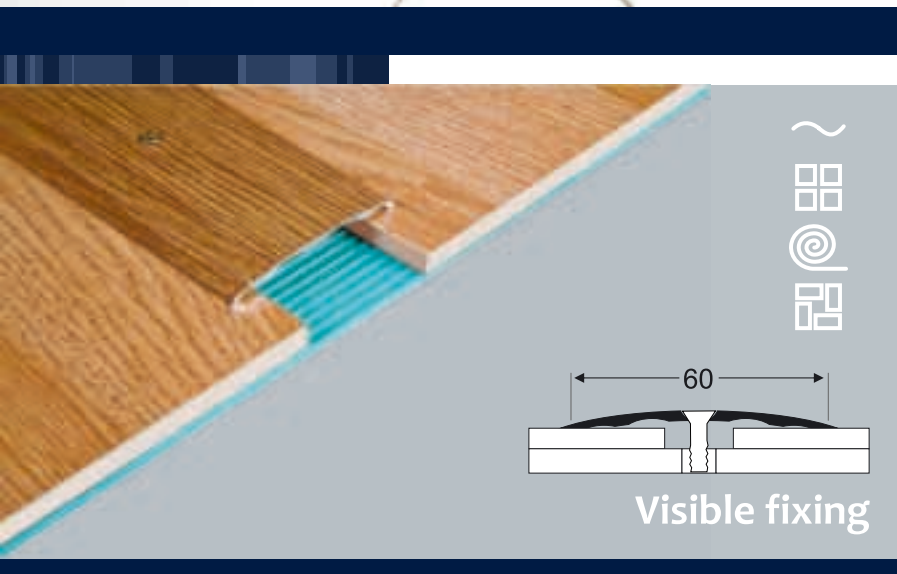
### 3584

length 0.9 m 1.35 m 1.80 m 2.70 m

01	02
----	----

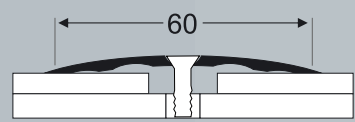
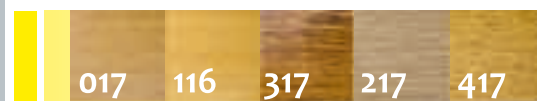


Profiles without level differences are used to hide the joints of different floor coverings having an equal level. Recommended to use on the hard floors (tiles, parquet, laminate).

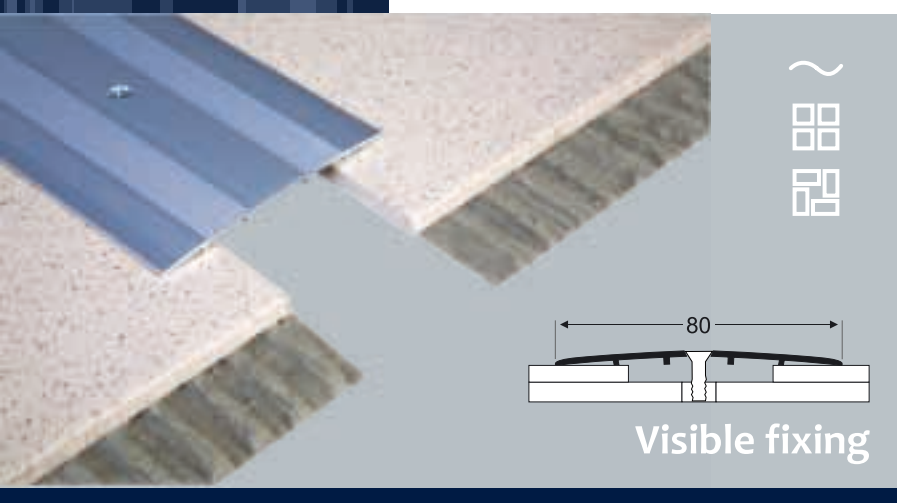


**60**

length 0.9 m 1.35 m 1.80 m 2.70 m

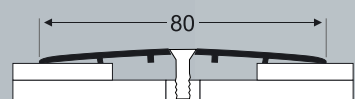


Visible fixing

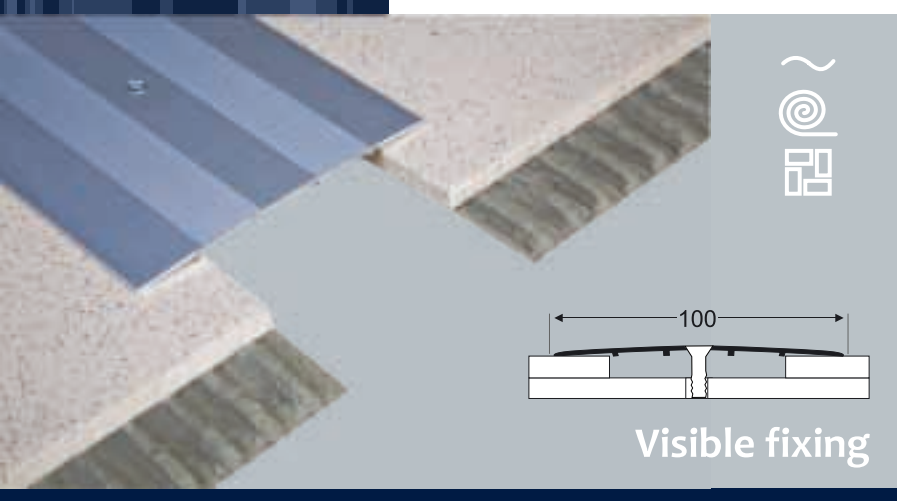


**80**

length 0.9 m 1.35 m 1.80 m 2.70 m

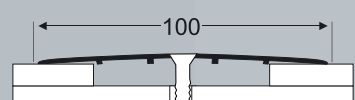


Visible fixing



**100**

length 0.9 m 1.35 m 1.80 m 2.70 m



Visible fixing

# Installation of profiles with visible fixing system

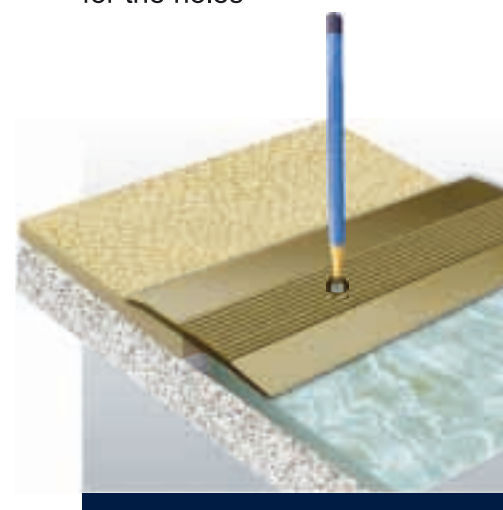
**1**

Measure and cut profile to desired length



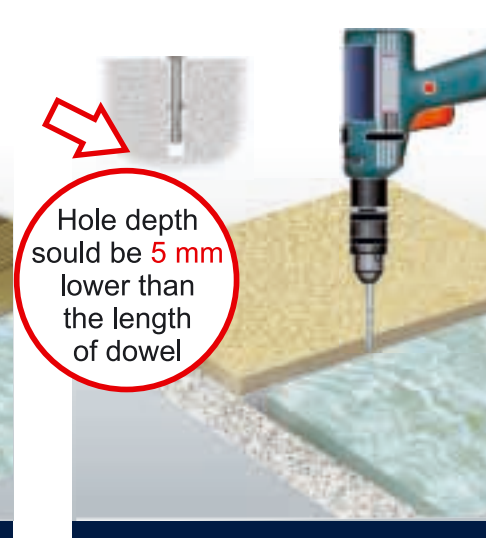
**2**

Press the profile into place. Mark the places for the holes



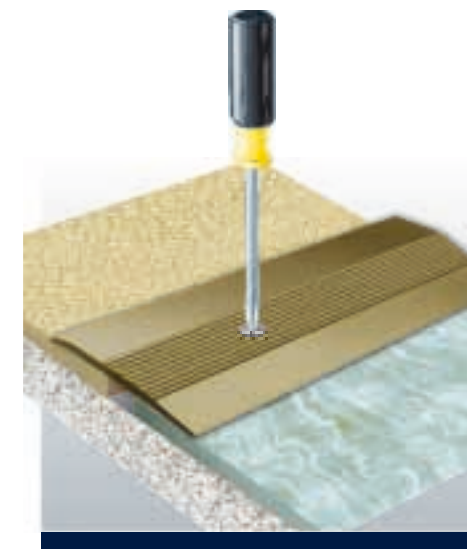
**3**

Drill a hole in the floor under the dowel



**4**

Screw into place



# Installation of profiles with invisible fixing system

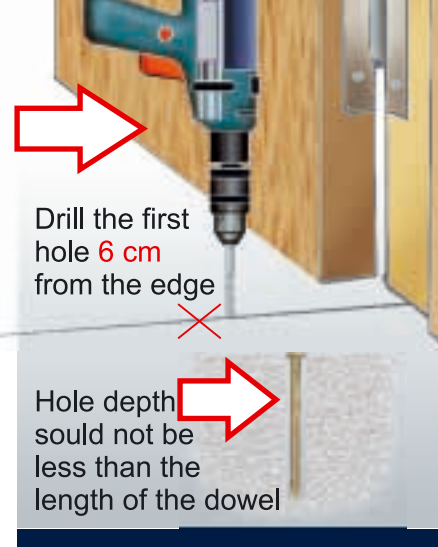
**1**

Measure and cut profile to desired length



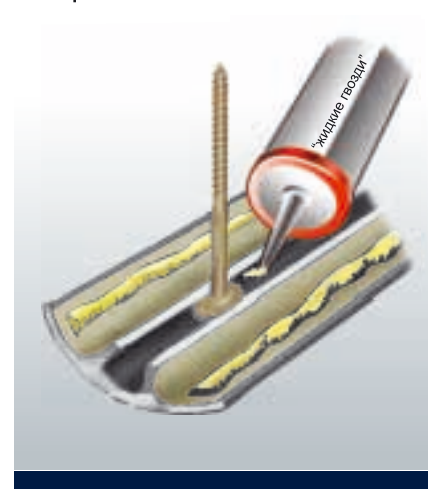
**2**

Drill the first hole 6 cm from the edge



**3**

Lay on a mounting glue "liquid nails" or "silicone" on the edges of the back of the profile and insert T-nails

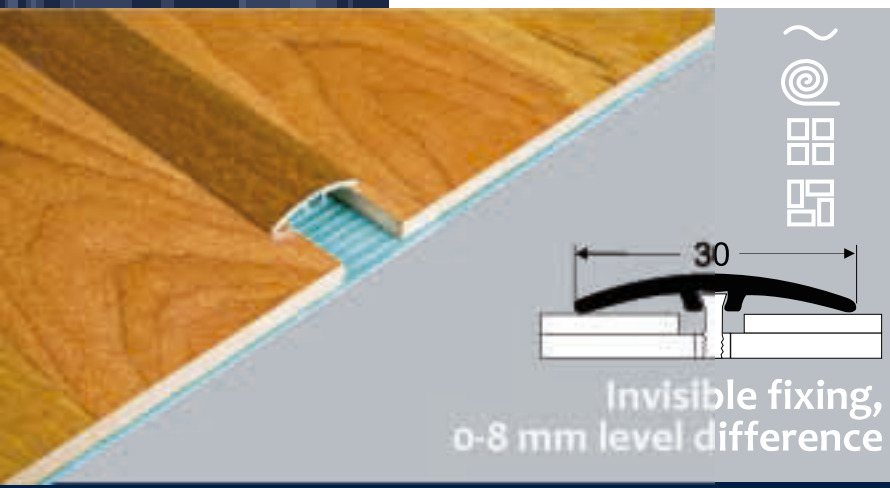


**4**

Fasten profile at the proposed location. Shift the nails to the hole plugs and score them through the bar. Knock in the nail zone



# Adaptation sections (profiles for the floor coverings of different level)



Invisible fixing, 0-8 mm level difference

**70 (035)**  
length 0.9 m 1.35 m 1.80 m 2.70 m

017	116	117	308	309	310
315	316	350	417	617	
01	02	03	06	04	
88					

**70** **035**

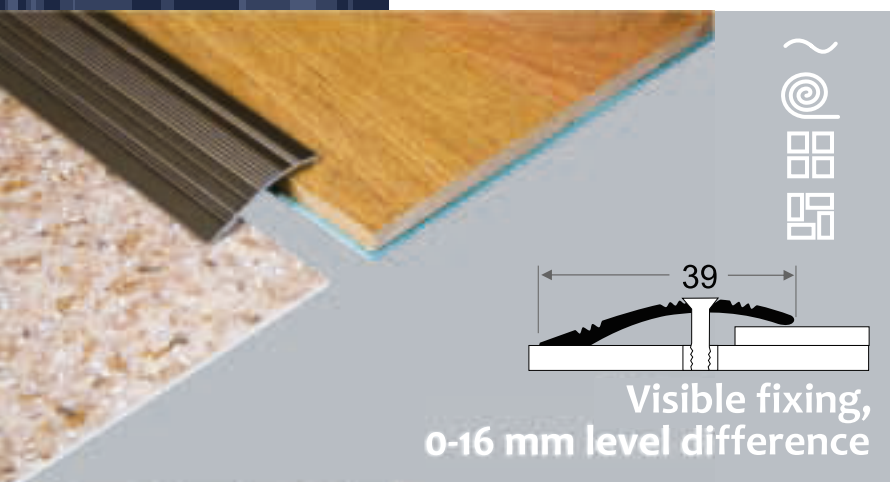


Invisible fixing, 0-13 mm level difference

**72 (033)**  
length 0.9 m 1.35 m 1.80 m 2.70 m

017	116	117	308	309	310
315	316	350	417	617	
01	02	03	06	04	
88					

**72** **033**



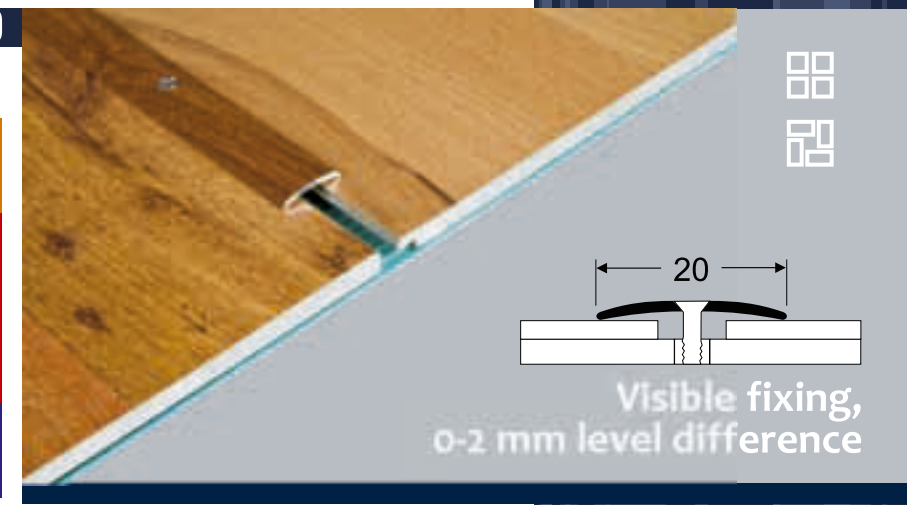
Visible fixing, 0-16 mm level difference

**3326**  
length 0.9 m 1.35 m 1.80 m 2.70 m

01	02			
017	116	317	217	417

**100**  
length 0.9 m 1.35 m 1.80 m 2.70 m

01	02	03	06	04	
017	116	117	308	309	310
315	316	350	417	617	
88					



Visible fixing, 0-2 mm level difference

**110**  
length 0.9 m 1.35 m 1.80 m 2.70 m

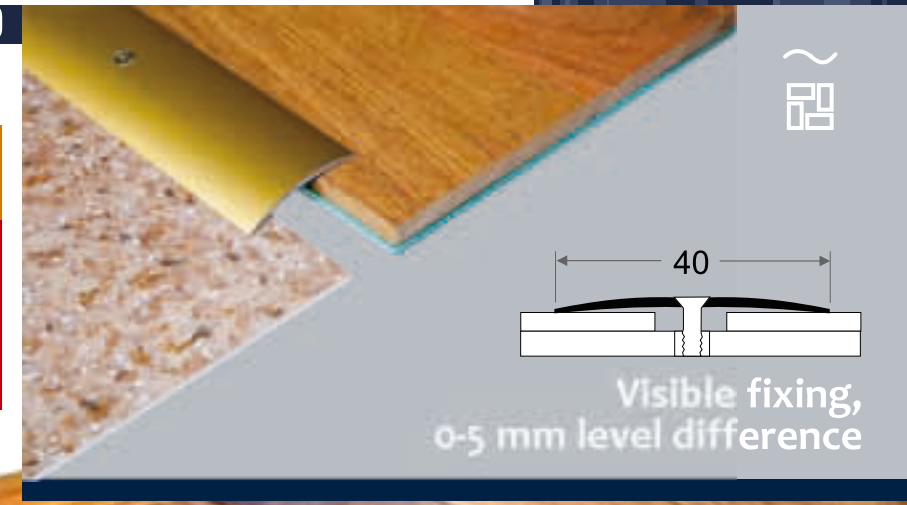
01	02	03	06	04	
017	116	117	308	309	310
315	316	350	417	617	
88					



Visible fixing, 0-3 mm level difference

**120**  
length 0.9 m 1.35 m 1.80 m 2.70 m

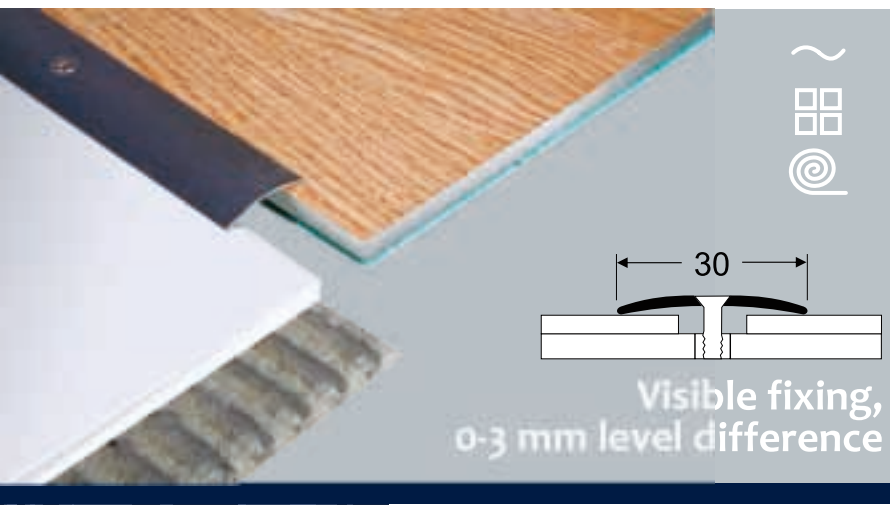
01	02	03	06	04	
017	116	117	308	309	310
315	316	350	417	617	



Visible fixing, 0-5 mm level difference

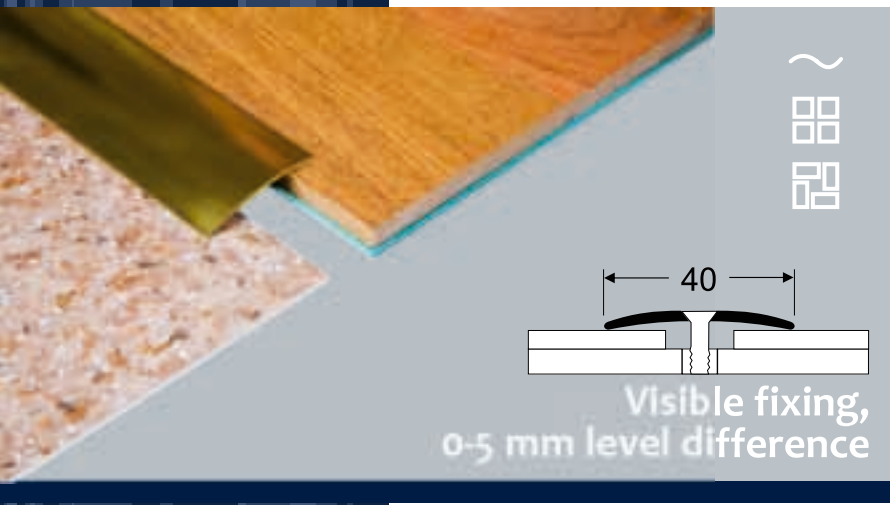
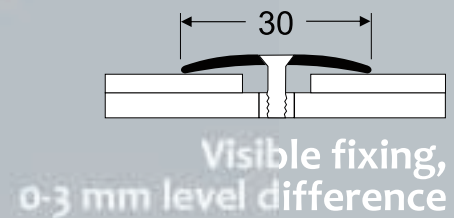
Profiles with level differences are used to hide the joints of different floor coverings having a different level.





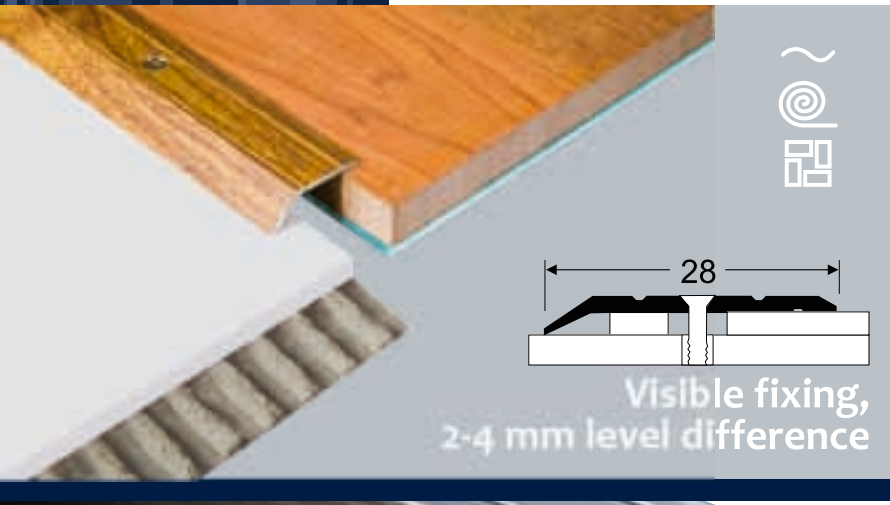
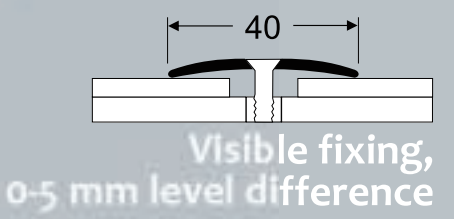
**307 (308)**  
length 0.9 m 1.80 m 2.70 m

71	77	88
----	----	----



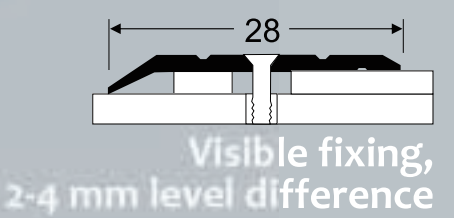
**407 (408)**  
length 0.9 m 1.80 m 2.70 m

77	88
----	----



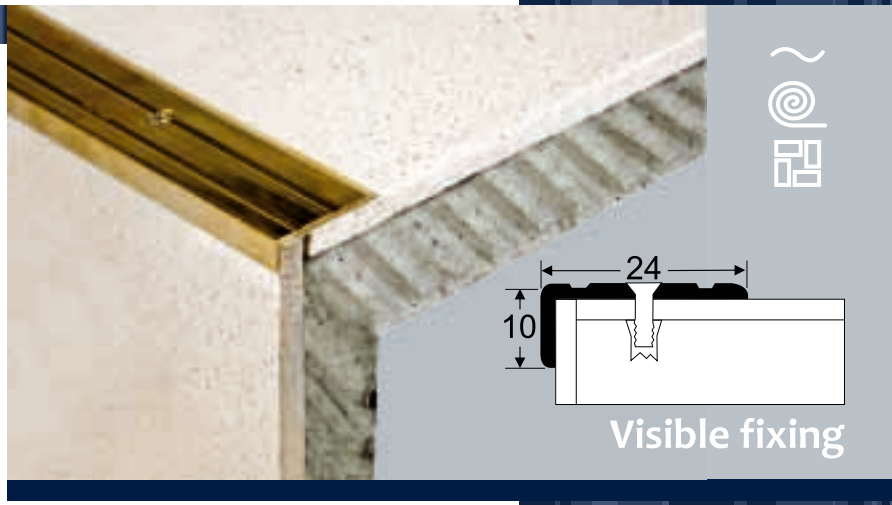
**84**  
length 0.9 m 1.35 m 1.80 m 2.70 m

01	02	03	06	04	
017	116	117	308	309	310
315	316	350	417	617	



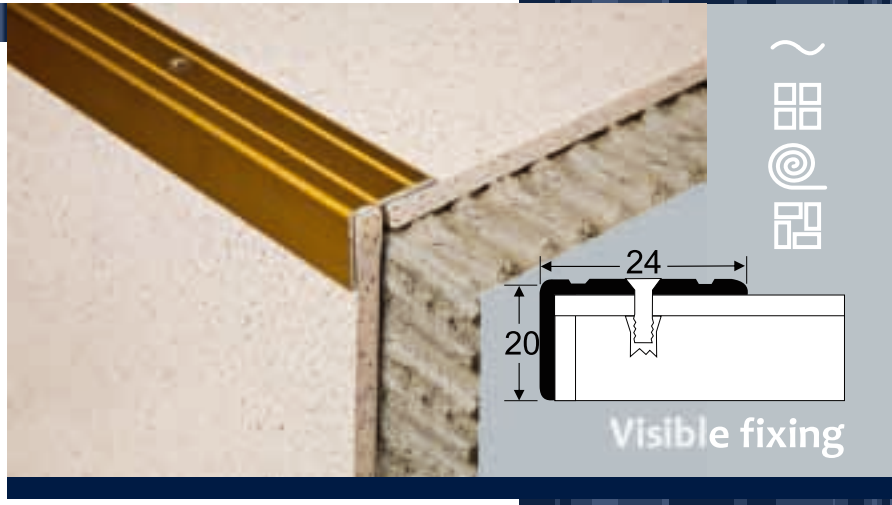
**3418**  
length 0.9 m 1.35 m 1.80 m 2.70 m

01	02	03	06	04	
017	116	117	308	309	310
315	316	350	417	617	
				88	



**3414**  
length 0.9 m 1.35 m 1.80 m 2.70 m

01	02	03	06	04	
017	116	117	308	309	310
315	316	350	417	617	



Stair nosings

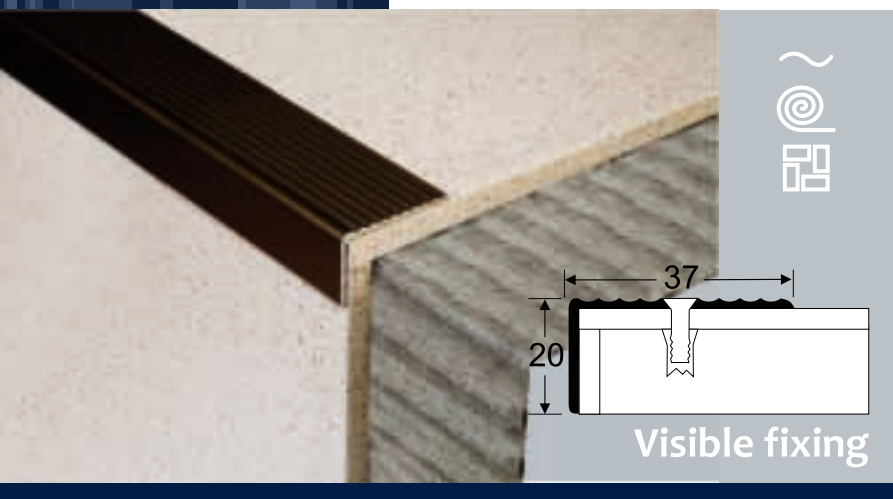




Visible fixing

**87**

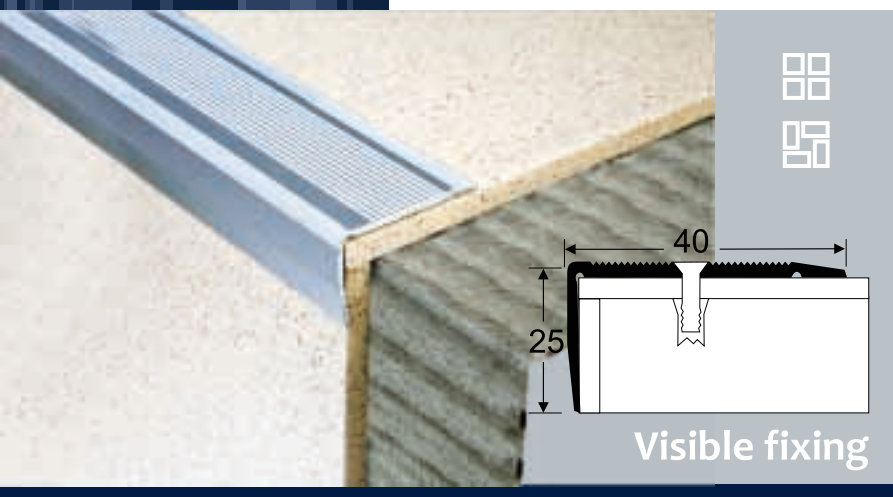
length 0.9 m 1.35 m 1.80 m 2.70 m



Visible fixing

**220**

length 0.9 m 1.35 m 1.80 m 2.70 m



Visible fixing

**664**

length 0.9 m 1.35 m 1.80 m 2.70 m

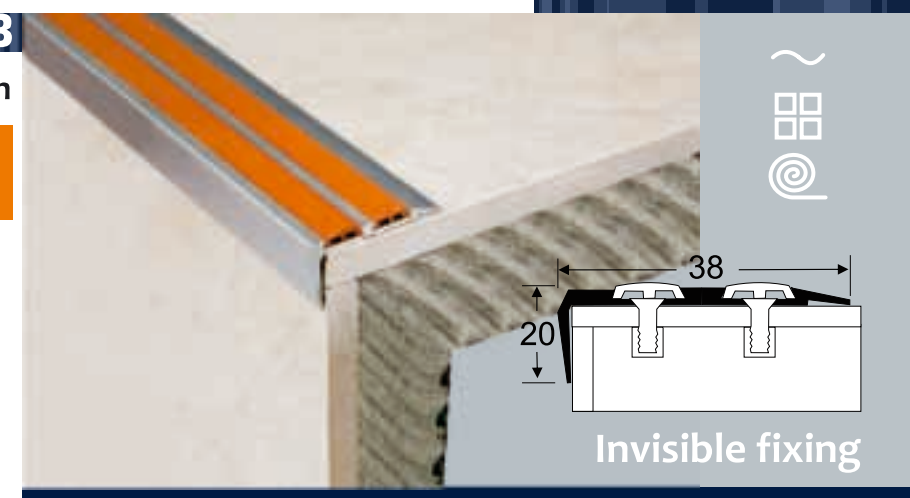


**2626**  
This profile is used for  
internal angles finishing  
length 0.9 m 1.35 m 1.80 m 2.70 m



Invisible fixing

**3413**  
length 0.9 m 1.35 m 1.80 m 2.70 m



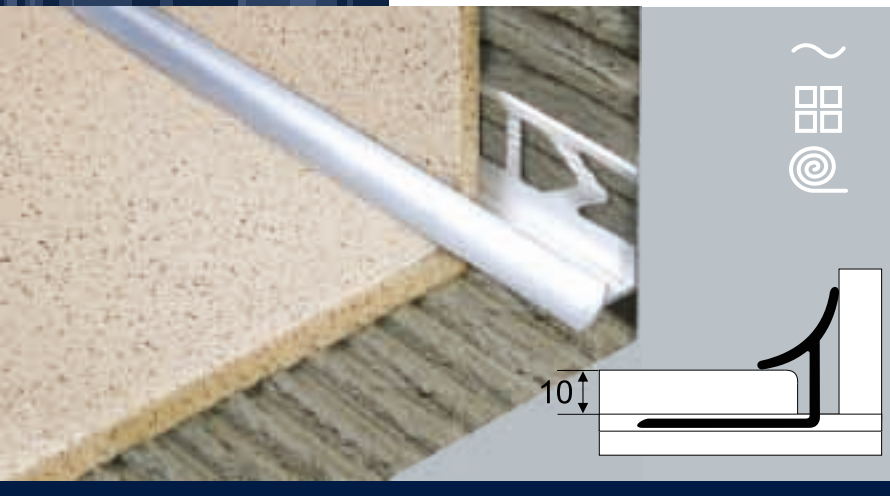
Invisible fixing



Stair nosings with anodized and laminated coating protects stairwells and doorways from accidental damage.



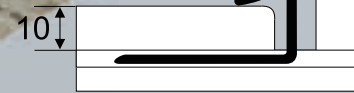
# Perforated profiles for ceramic tiles



## 357

Perforated profile for inner angles  
length 2.50 m

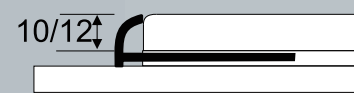
01	02
82	00



## 361/362

length 2.50 m

01	02		
82	77	00	361
01	02		
77	00		362



Perforated profile from aluminum, brass and stainless steel for external angles and tile edges finishing. In a domestic environment is used to protect the stair edges.

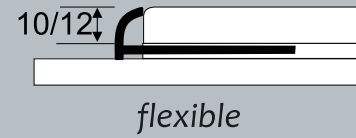
*We do not recommend to use the profile on the stairs in the public places or industrial buildings with high traffic.*

Available for the different tiles thickness of 10 and 12.5 mm.

## 369/370

length 2.50 m

	01	02
369	82	00
	01	02
370		00



Perforated profile from aluminum, brass and stainless steel for the external corners or the tiles finishing with the possibility of bending radially. In a domestic environment is used to protect the stair edgings.

*We do not recommend to use the profile on the stairs in the public places or industrial buildings with high traffic.*

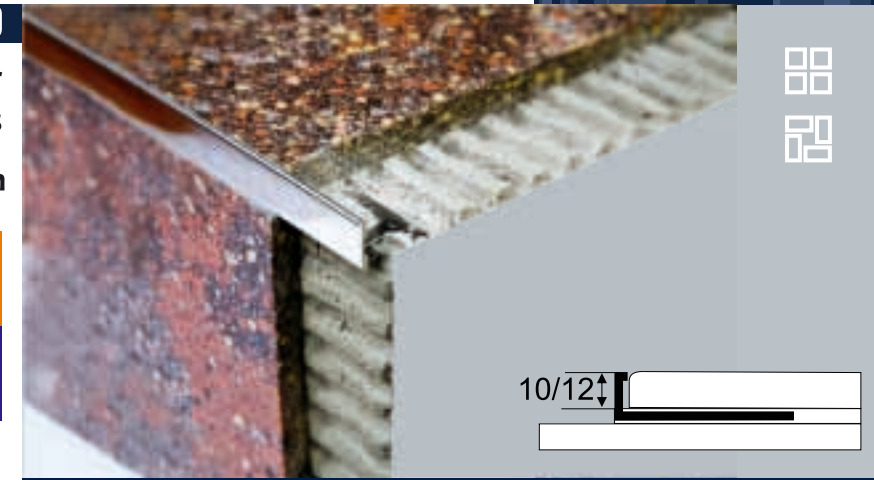
Available for the different tiles thickness of 10 and 12.5 mm.

## 228/229

Perforated L-shaped profile for the straight finishing of tiles edges

length 2.50 m

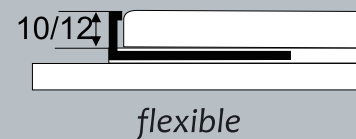
	01	02
82	77	00



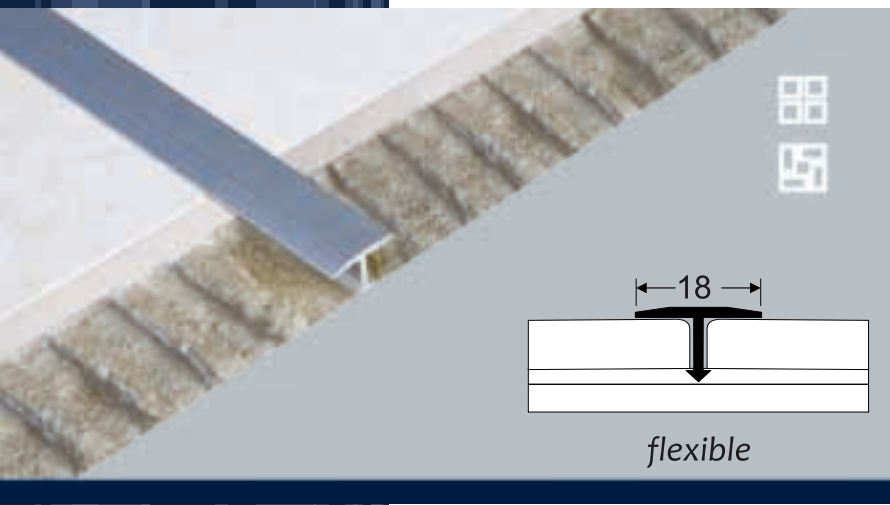
## 359/360

length 2.50 m

	01	02
359	82	00
	01	02
360		00



Perforated L-shaped profile for the straight and curvilinear finishing of tiles edges



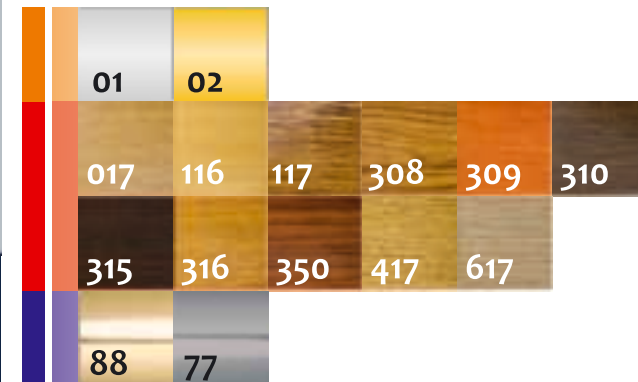
**318**

T-shaped 18mm width profile for the curvilinear or straight connections.  
length 2.50 m



**324/325**

T-shaped 13 and 26 mm width profile is used for finishing a single-level direct or curvilinear joints of connections.  
length 2.50 m



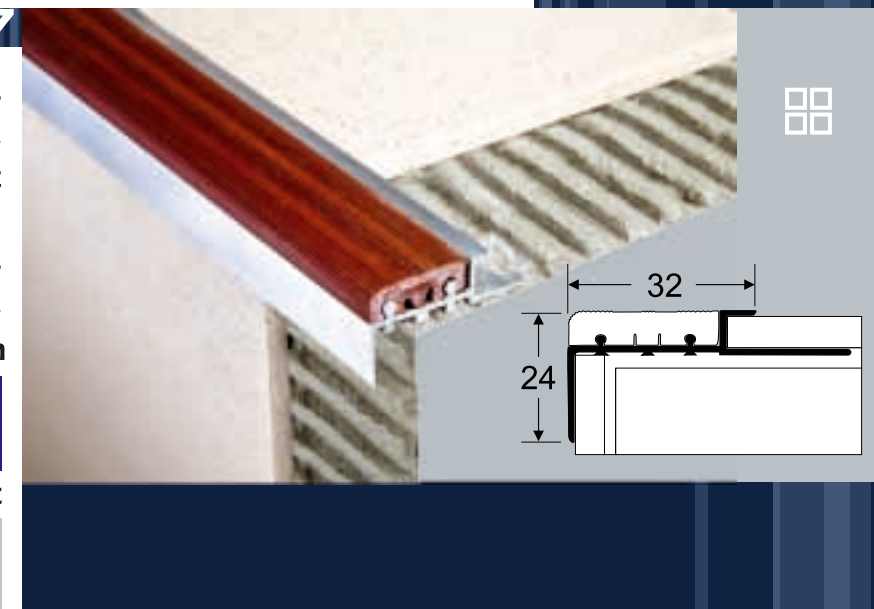
T-shaped 5 mm width joint profile for the curvilinear or straight connections.  
length 2.50 m



Perforated profile for stair edges protection with the anti-slip rubber insert. It is widely used to protect the stair edges and prevents slipping outdoors ( terrace steps, etc.).  
length 2.50 m



colour of insert

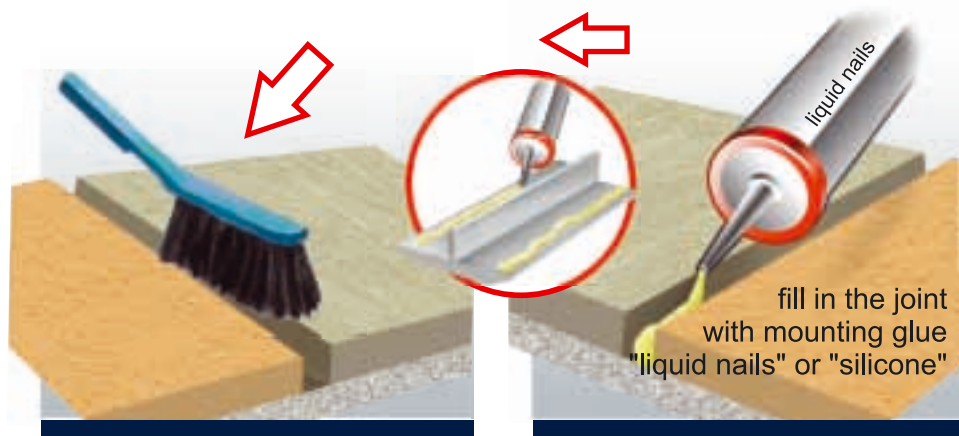


## Installation of T-shaped fixing system profile

**2**  
clean the joint for the profile installation

**3**  
lay on a mounting glue "liquid nails" or "silicone" on profile

**4**  
place the weight on the top of profile for **24 hours**



**1**  
measure and cut profile to desired length

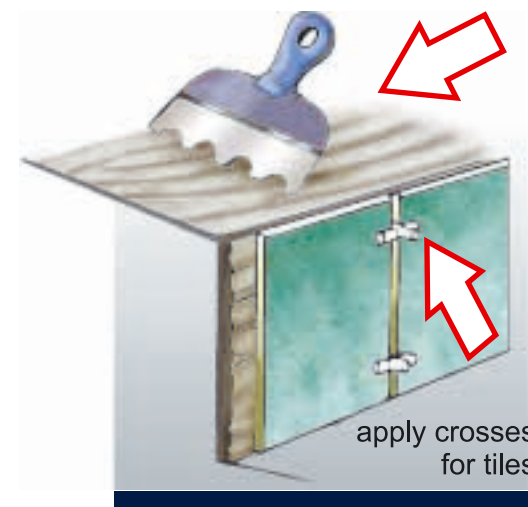


## Installation of perforated profile

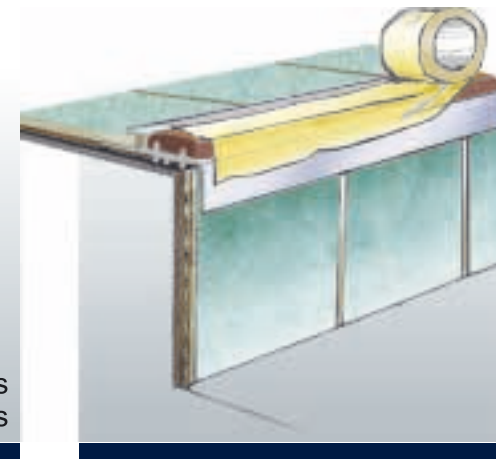
**1**  
measure and cut profile to desired length



**2**  
apply adhesive for ceramic tiles



**3**  
paste masking tape over the entire surface of the profile before jointing

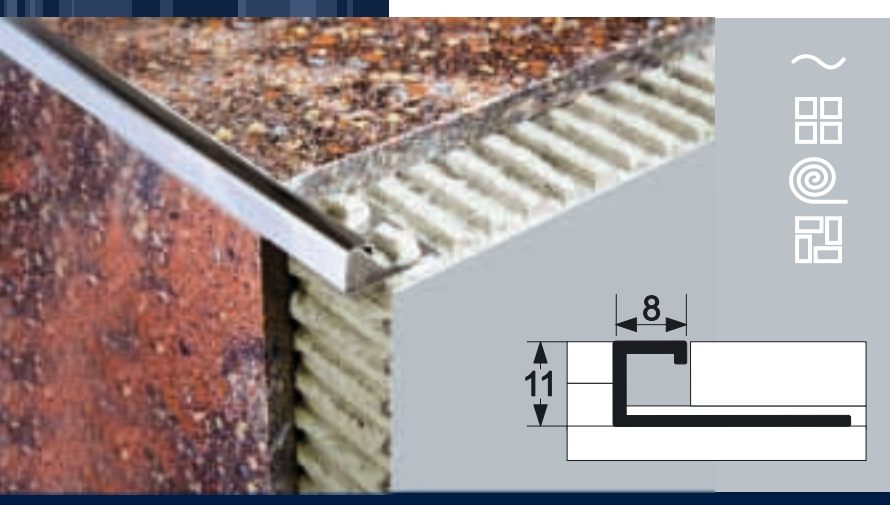


**4**  
clean the tiles and remove the masking tape after the joint has dried



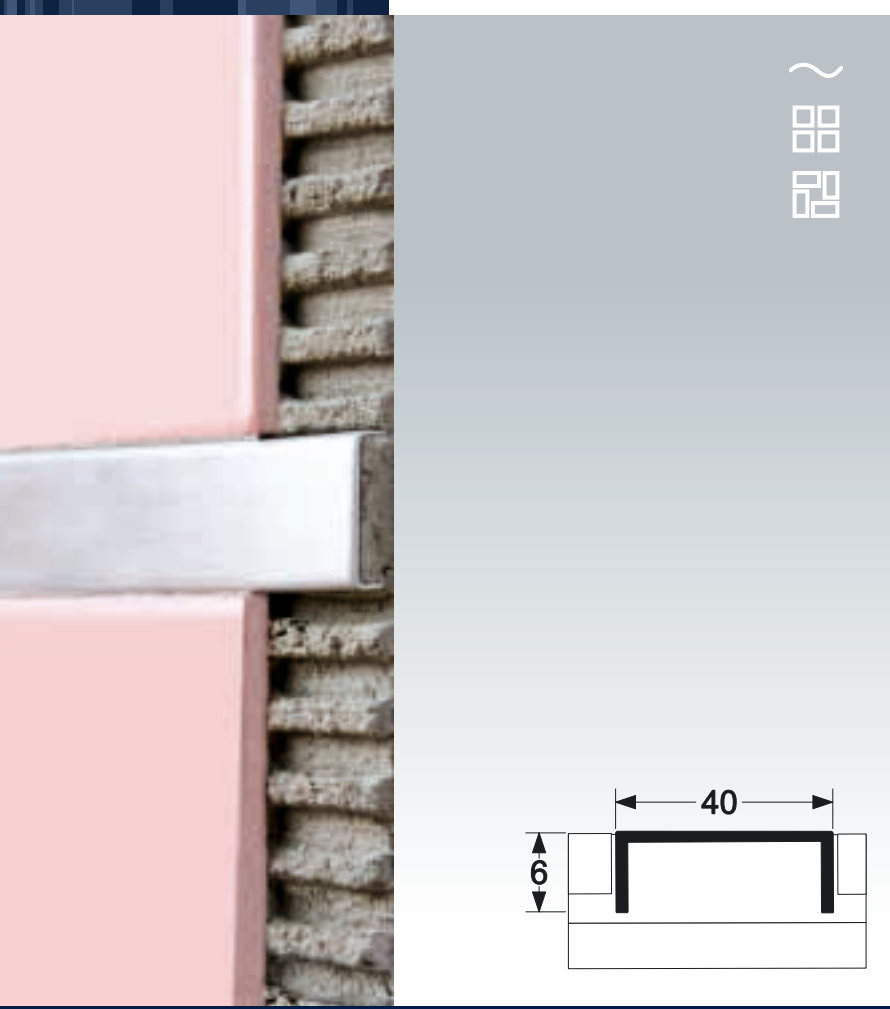
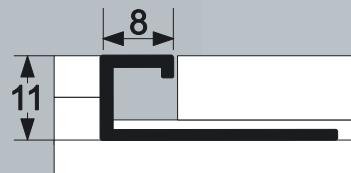


# Labeling



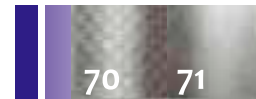
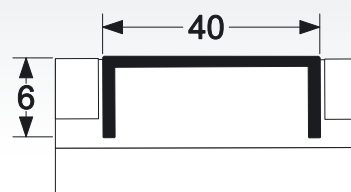
## 380/381/382

U-shaped perforated profile is used for finishing corners, stairs, as a joint in both vertical and horizontal planes.  
length 2.50 m



## 390/391

U-shaped perforated profile is used for finishing corners, stairs, as a joint in both vertical and horizontal planes.  
length 2.50 m



## ARTICLE

article	profile code	color	length
3586 06 K	3586	06	K

Color symbol	Length
Aluminium natural .....00	K → 0,9 м
Gold .....02	H → 1,35 м
Silver .....01	T → 1,8 м
Pearly .....04	M → 2,7 м
Bronze .....03	A → 2,5 м
Champagne .....06	
Beech .....116	
Dark beech .....316	
Oak .....017	
Oak Gold .....417	
Oak Rustic .....117	
Bleached oak .....617	
Cherry .....309	
Venge .....315	
Walnut .....350	
Walnut gold .....308	
Dark walnut .....310	
Brass matt .....82	
Brass polished .....88	
Black, rubber insert .....53	
Gray, a rubber insert .....51	
Beige, rubber insert .....54	
Brown, a rubber insert .....53	
Brick, a rubber insert .....55	
Mirror smooth .....77	
Wild silk .....71	

series color

lux

master

style

product series →

product name →

material →

product article →

appearance →

width →

length →

color →

manufacturer details →

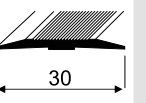
EAN-13 code →

conformity mark Standard of the Republic of Belarus →



ЛЮКС LUX

порог profile  
алюминий aluminium  
#3586 06K



length  
90 cm

colour  
шампань champagne

Сделано в РБ. Производитель КТМ 2000 СП ООО  
ТУ РБ 808000186. 001-2003  
220075 РБ г.Минск  
Промышленная улица 6а  
тел. +375 17 344 39 46  
www.ktm-2000.com





**KTM**

## JV "KTM-2000"

The Republic of Belarus

220075, Minsk

Promyshlennaya St. 6A - 1

+ 375 (17) 299 44 77, 344 39 46

+ 375 (29) 399 45 55, 614 64 76

Fax: + 375 (17) 299 45 55

production@ktm-2000.com



[WWW.KTM-2000.COM](http://WWW.KTM-2000.COM)